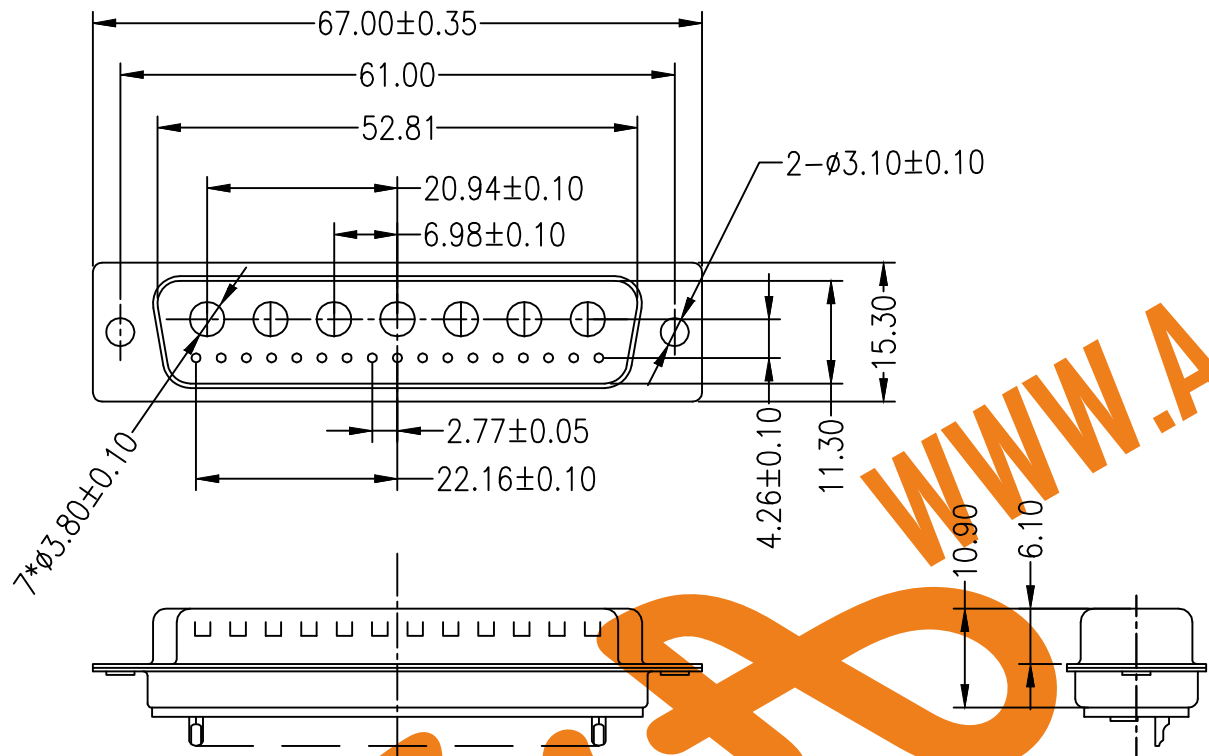


Coaxial D-SUB 24W7 MALE Solder Cup

ROHS COMPLIANT



ELECTRICAL CHARACTERISTICS:

Dielectric withstanding Voltage: AC 1000V r.m.s.
 Insulation Resistance: 500 Megohms Minimum at DC 500V
 Contact Resistance: 25 Milliohms
 Operating Temperature: $-20^{\circ}\text{C} \sim +85^{\circ}\text{C}$

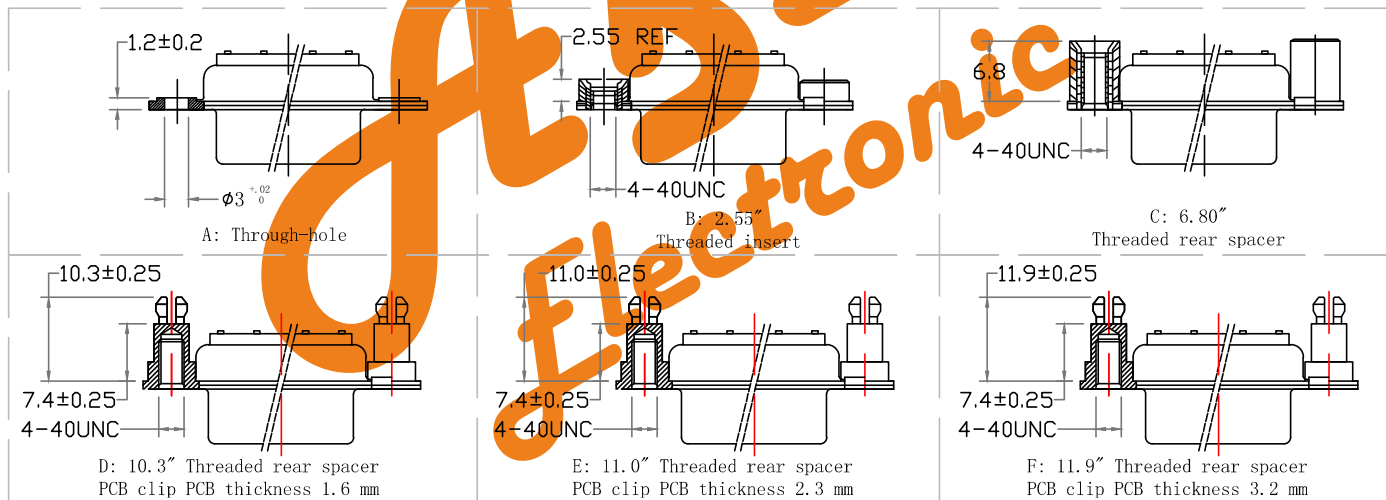
MATERIALS:


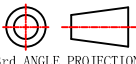
Insulator: PBT, UL 94V-0 Rated
 Shell: Cold Roller Steel

Ordering Code:

PDC24W7 -M -G0 -B -X -00
 ① ② ③ ④ ⑤ ⑥

- ① Series
- ② Contact Type:
M: Male F: Female
- ③ Contact NO. :
G0: Gold flash G1: 3u" Gold
G2: 5u" Gold G3: 10u" Gold
G4: 15u" Gold G5: 30u" Gold
- ④ Insulation Color Code:
B: Black L: Blue
W: White
- ⑤ Mounting Option:
A: Through-hole
B: 2.55" Threaded insert
C: 6.80" Threaded rear spacer
D: 10.3" Threaded rear spacer
E: 11.0" Threaded rear spacer
F: 11.9" Threaded rear spacer
PCB clip
- ⑥ Series



Unless Otherwise specified tolerance		 WWW.AsA-Elec.com ASA Electronic Co. Tel : (+98) 21 66 73 56 82 Mob : (+98) 912 03 161 02
X: ± 0.35	X.X: ± 0.25	
X.XX: ± 0.20	X.XXX: ± 0.15	
SCALE: 1:1	UNIT: mm	
DRAWN: junfon H	TITLE: Coaxial D-SUB 24W7 MALE Solder Cup	
CHECKED: YANG	DRAWING NO: PDC24W7-MXXXX00	
 3rd ANGLE PROJECTION		PRODUCT NO: PDC24W7-MXXXX00

REV	Add option of plating	12/7/17
1	DESCRIPTION	DATE